

LV

4500/8500 Series

Flexible, Productive Automation System Vertical Turning Center

HYUNDAI WIA Vertical Turning Center

Technical Leader

Flexible, Productive Automation System Vertical Turning Center

The CNC Turning Center LV4500/8500 Series, designed by Hyundai WIA with years of expertise and the latest technology, is designed to maximize productivity by high speed and accurate performance.

		LV4500 Series		LV8500 Series		
Max. Turning Dia.	mm(in)	Ø495 (Ø19.5")		Ø850 (Ø35")		
Max. Turning Length	mm(in)	465 (18.3")		800 (31.5")		
Chuck Size	inch	12"	[15"]	18"	[21"]	[24"]
Spindle Speed	r/min	3,000	[2,700]	2,000	[1,940]	[1,760]
Spindle Motor (10min./30min./Cont.)	kW(HP)	26/22/18.5 (35/29.5/25) [37/30/22 (50/40/29.5)]		Belt : 37/30/22 (50/40/29.5) [Gear Box : 45/37/30 (60/50/40 HP)]		
Travel (X/Z)	mm(in)	320/495 (12.6"/19.5")		465/800 (18.3"/31.5")		
No. of Tools	EA	12		12		

[] : Option

LV

4500/8500 Series

Automation System Vertical Turning Center

- “Right” and “Left” structure for practical automation construction
- Stable spindle structure with excellent heavy duty cutting ability
- 2 step chuck pressure mechanism adopted to minimize workpiece deformation (Opt.)
- High rigidity BMT turret
- Designed for optimal chip disposal



01 LV4500 Series

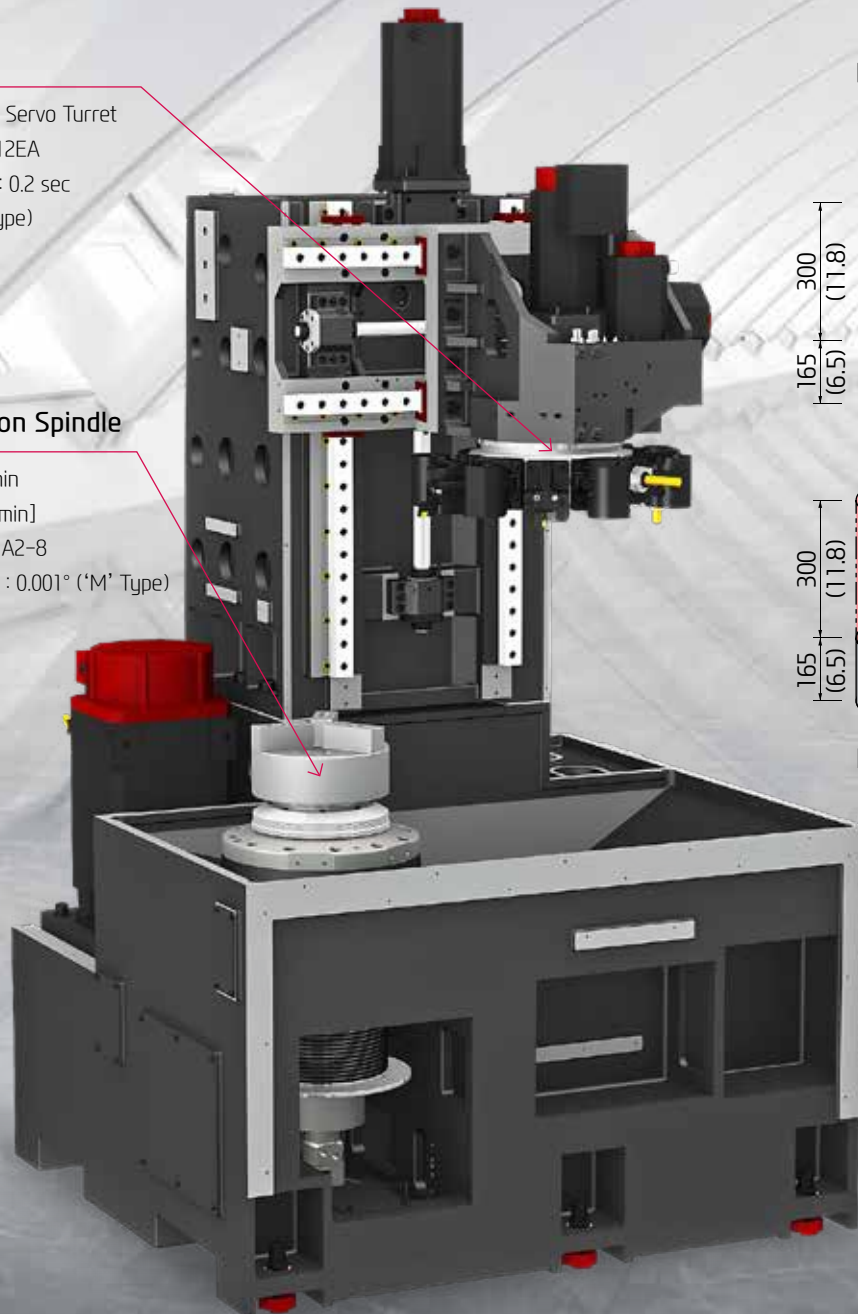
High Productivity, State-of-the-art Vertical CNC Turning Center

Turret

- Highly Reliable Servo Turret
- No. of Tools : 12EA
- indexing Time : 0.2 sec
- BMT65 ('M' Type)

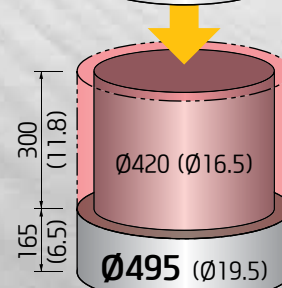
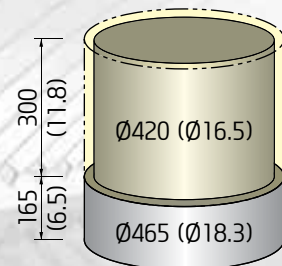
High Precision Spindle

- 12" : 3,000 r/min
[15" : 2,700 r/min]
- Spindle Nose : A2-8
- C-Axis Control : 0.001° ('M' Type)



Max. Turning Dia. Increase

Previous model



LV4500 Series

REDUCTION OF NON-CUTTING TIME BY FAST RAPID

HIGH-PRECISION STRUCTURE

Right and Left Machine Structure

The LV4500 Series consists of Left and Right machine configuration, allowing for more efficient automation options.

Front Operation Structure

The power supply, hydraulic device and lubrication device are all designed to be controlled on the front side of the machine, leading to enhanced user convenience.



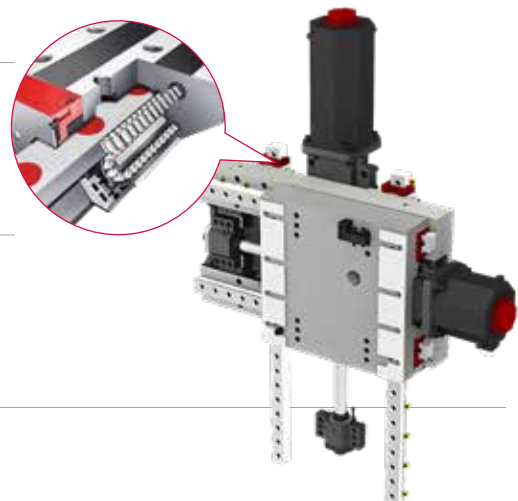
GUIDEWAY

Roller LM Guideway

By applying an roller LM guide structure with high speed and rigidity, a rapid traverse rate of 24m/min is achieved based on the all axes.

Ball Screw

The pretensioned ball screw minimizes the expansion and contraction according to the heat and further reinforces the rigidity by the double anchor support method.



⦿ Improved rapid traverse speed

Previous model 310 mm

LV4500 Series 320 mm Up by 10 mm

Previous model 20 m/min

LV4500 Series 24 m/min Up by 4 m/min

Travel (X/Z)

320/495 mm (12.6"/19.5")

Rapid Traverse Rate (X/Z)

24/24 m/min (945/945 ipm)

02 LV8500 Series

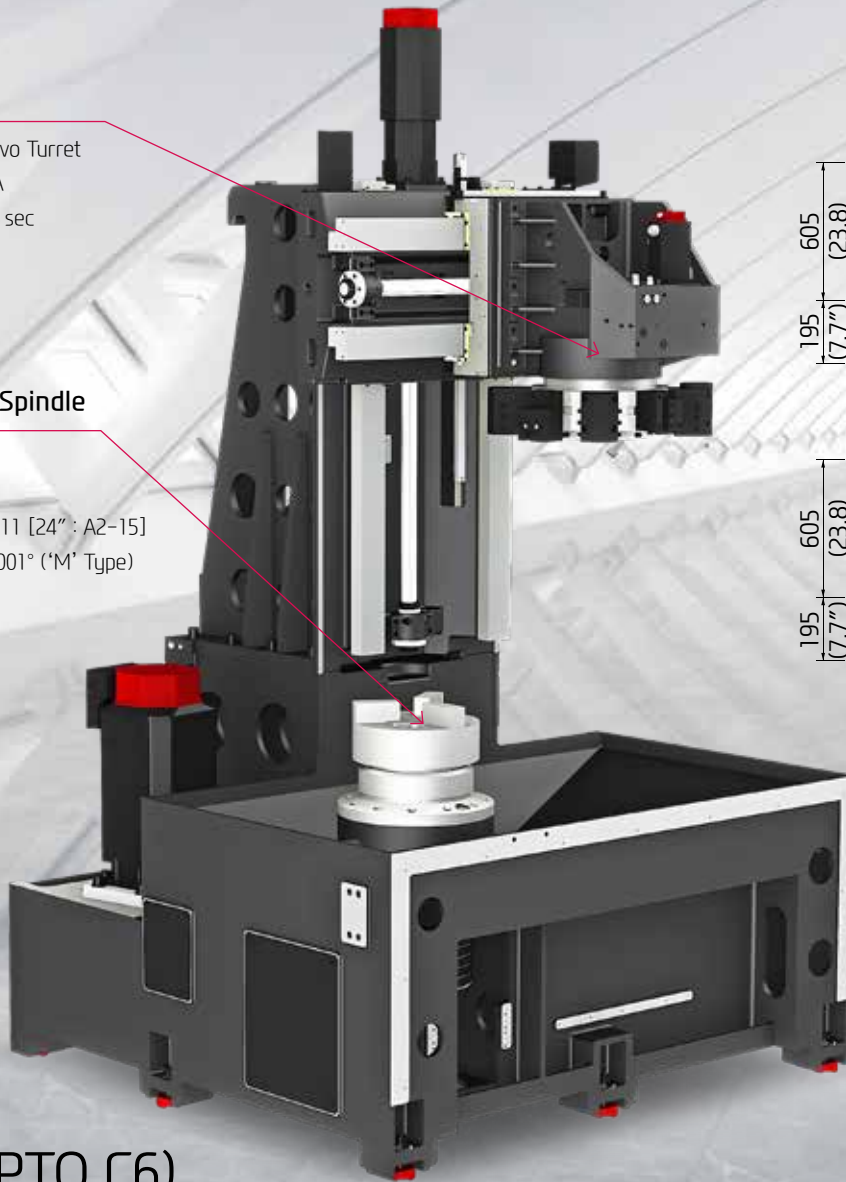
High Speed & Heavy Duty Cutting Vertical CNC Turning Center

Turret

- Highly Reliable Servo Turret
- No. of Tools : 12EA
- indexing Time : 0.2 sec
- BMT75 ('M' Type)

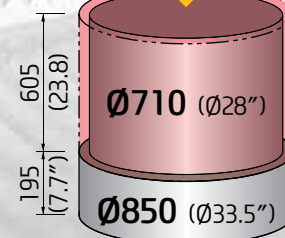
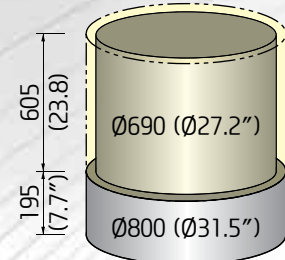
High Precision Spindle

- 18" [21"/24"]
- 2,000 r/min
- Spindle Nose : A2-11 [24" : A2-15]
- C-Axis Control : 0.001° ('M' Type)



Max. Turning Dia. Increase

Previous model



LV8500 Series

ATC (CAPTO C6)



- Improved machining capability with max. 12 tools
- Minimized the interference of long-boring bar by putting long-boring bar into a magazine
- When machining difficult-to-cut materials, worn out tools can be replaced with the spare tools → Increased productivity

OPTION

Max. Tool Length/ Weight	Max. Tool Dia. (W.T/W.O)	No. of Tools	Tool Type
400mm (15.7") / 12kg (26 lb)	Ø100/Ø150mm (Ø3.9"/Ø5.9")	12 EA	Fixed Tool

STRUCTURE FOR HEAVY CUTTING & HIGH PRECISION

HIGH-PRECISION STRUCTURE

Automation Configuration Structure

The LV8500 Series consists of Left and Right machine configuration, allowing for more efficient automation options.

Oil and Air devices are located in front of the machine for easy repair and maintenance.

Front Operation Structure

The power supply, hydraulic device and lubrication device are all designed to be controlled on the front side of the machine , leading to enhanced user convenience.



GUIDEWAY

Box Guideway

All axes of the LV8500 Series feature box guideways. Box guideways provide long term rigidity and accuracy even during heavy duty operations.

Ball Screw

Large diameter ball screws with preloading prevent deformation due to heat. Also double-anchor support method improves rigidity.



⊙ Z-axis Ball Screw : Increased dynamic rigidity



Travel (X/Z)

465/800 mm (18.3"/31.5")

Rapid Traverse Rate (X/Z)

20/20 m/min (787/787 ipm)

03 HIGH PRECISION SPINDLE

Long Lasting, High Accuracy & Excellent Performance CNC Turning Center



Spindle Specifications

[] : Option

Model	Chnuck Size	Spindle Speed	Motor (Max./30min/Cont.)	Torque (Max./30min/Cont.)	Driving Method
LV4500 Series	12"	3,000 r/min	26/22/18.5 kW	863/730/614 N·m	Belt
			[37/30/22 kW]	[588/478/350 N·m]	
	[15"]	[2,700 r/min]	[26/22/18.5 kW]	[863/730/614 N·m]	
			[37/30/22 kW]	[588/478/350 N·m]	
LV8500 Series	18"	2,000 r/min	37/30/22 kW	1,660/1,346/986 N·m	Belt
			[45/37/30 kW]	[3,185/2,619/2,124 N·m]	Gear Box
	[21"]	[1,940 r/min]	[37/30/22 kW]	[1,660/1,346/986 N·m]	Belt
			[45/37/30 kW]	[3,185/2,619/2,124 N·m]	Gear Box
	[24"]	[1,760 r/min]	[37/30/22 kW]	[1,660/1,346/986 N·m]	Belt
			[45/37/30 kW]	[3,494/2,873/2,329 N·m]	Gear Box

HEAVY DUTY CUTTING & HIGH ACCURACY

SPINDLE

Spindle for Heavy Cutting

The use of both cylindrical roller bearings and angular contact bearings provide high speed and rigidity. This enables machining of heavy workpieces.

Also, LV8500 Series is with a gear box type spindle (Option), which provides high torque at low rpm and stability at high rpm.



C-Axis Control ('M' Type)

The C-axis is capable of 0.001° control when milling turret is applied. Machining capability is strengthened with turning and milling operations.

2 Step Pressure Chucking Device **OPTION**

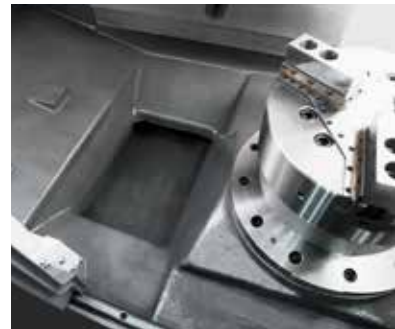
The 2 step pressure chucking system enables high pressure chucking during rough cutting and low pressure chucking during precision cutting.

Chip Influx Protection

The LV4500/8500 Series is incorporated with a protection device to keep chips and other foreign materials from entering the main spindle, ensuring long term high precision performance.

Chute Structure

The sloped bed design improves chip flow and disposal of cutting fluids minimizing thermal displacement.



LPS CHUCKING CONFIRMATION

LPS (Linear Position Sensor) **OPTION**

Monitoring the clamping position of the chuck jaw and the status of clamping are possible with LPS.

This easy to use control feature improves safety and convenience during frequent workpiece changes.



04 SERVO TURRET

High speed, High Accuracy, Highly Reliable Servo Turret

Servo Turret

Model	No. of Tools	Tool Size (O.D/i.D)	Indexing Time
LV4500 Series	12 EA	□ 25/Ø50 mm (□ 1"/Ø2")	0.2 sec
LV8500 Series	12 EA	□ 32/Ø63 mm (□ 1.3"/Ø2.5")	

Mill Turret

Model	Type	Speed	Motor (Max./Cont)	Torque (Max./Cont)	Collet Size
LV4500 Series	BMT65	5,000 rpm	5.5/3.7 kW	70/35.3 N·m	ER32 : Ø20 (0.8")
LV8500 Series	BMT75	4,000 rpm	11/5.5 kW	140/70 N·m	ER40 : Ø26 (1")

VARIOUS DRIVEN PRECISION BMT TOOL HOLDERS

TURRET



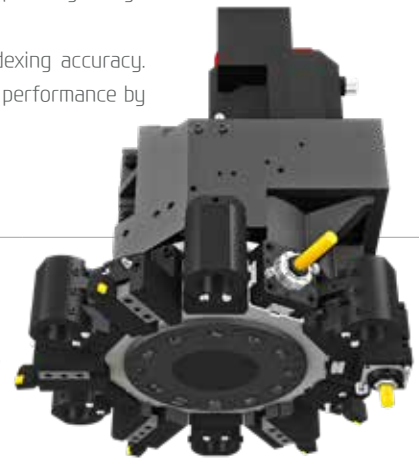
Servo Turret

The LV4500/8500 Series' machining reliability is enhanced by incorporating a high performance AC servo motor to the turret drive mechanism.

Also, the turrets are installed with 3 piece couplings to improve indexing accuracy. Powerful hydraulic tool clamping exhibits great heavy duty machining performance by minimizing tool tip deviation due to work load.

BMT Turret

The BMT turret secures the tool with four bolts and key on the tool mounting surface of the turret, making it possible to powerfully fix the tool, ensuring high reliability in rigidity and precision.



STRAIGHT MILLING HEAD



ANGULAR MILLING HEAD



Mill Tool Holder

Machining capability has increased with the addition of straight milling head tool holder, which can machine workpieces from the side, and angular milling head tool holder, which can perform I.D. operations.



Special Tool

OPTION

The LV4500/8500 series can process high value-added products using a variety of rotating tools. In particular, there is a multi-holder for attaching a variety of tools to one holder, and an eccentric rotary tool for handling eccentric parts without additional axis travel, which can realize integration of process with one machine.

❖ Consultation needed when ordering these options.

05 HYUNDAI WIA FANUC – SMART PLUS

The Compatible All-round Control



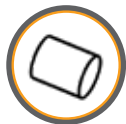
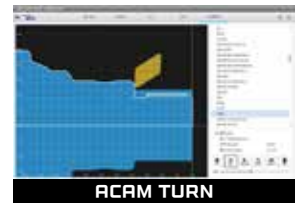
15" Touch-type Monitor as a standard

	Fast Cycle Time Technology
Smart Machine Control	Fine Surface Technology
	Smart Servo Control Technology
Conversational Program	SmartGuide-i
i-HMI	Machining-aid Function
Part Program Storage	5120M (2MB)
No. of Registerable Programs	1000 EA

ACAM (Automatic CAM)

Cloud-based automatic CAM S/W that automatically creates NC programs only by inputting drawing files

Cloud-based Intelligent Programming



Material definition
Block/Shape Cutting condition DB by materials



Model Input
2d/3d drawing input



Tool Definition
Tool library
Tool's file In/Output



Automatic Process Creating
Intelligent automatic process creating



Simulation
2D/3D simulation
File transfer to machine

MMS (Machine Monitoring System)



1. MMS Cloud

A cloud server-based equipment monitoring system for collecting and analyzing facility operation data.

2. MMS Edge

A client server-based tool monitoring system for collection/analysis of facility operation data. (Compatible with client MES / ERP interface)

SMART CNC (FANUC SMART PLUS)



1. Dialogue Program (Smart Guide-i)

This software offers the maximum user convenience through dialogue manipulation from setup to processing. This includes writing processing programs and simulation checks.

2. LAUNCHER

This software offers shortcuts for quick access to specialized features and frequently used features.

SPECIFICATIONS

Standard & Optional

● : Standard ○ : Option ☆ : Prior Consultation - : Non Applicable

Spindle		LV4500R/L	LV4500RM/LM
Belt (26/18.5kW)	A2-8	●	●
Belt (37/22kW)	A2-8	○	○
Chuck Size	12"	●	●
	15"	○	○
Standard Soft Jaw (1set)		●	●
Chuck Clamp Foot Switch		●	●
2 Steps Hyd. Pressure Device		○	○
5" Index		☆	☆
C5-Axis (0.001")		-	●
2 Steps Chuck Foot Switch		○	○
Chuck Open/Close Confirmation Device		●	●
Turret			
Tool Holder		●	●
12 station Turret		●	●
Mill Turret	BMT	-	●
Straight Milling Head (Axial)	Collet Type, 1ea	-	●
Angular Milling Head (Radial)	Collet Type, 1ea	-	●
Straight Milling Head	Adapter Type	-	○
Angular Milling Head	Adapter Type	-	○
Boring Sleeve		●	●
Drill Socket		○	○
Angle Head		-	☆
Coolant & Air Blow			
Standard Coolant (Nozzle)		●	●
Bed Flushing Coolant		○	○
Shower Coolant		○	○
Gun Coolant		○	○
Thru Coolant for Live Tool		-	☆
Chuck Air Blow (Upper Chuck)		○	○
Turret Air Blow		☆	☆
Air Gun		○	○
Through Spindle Air Blow (Only for Special Chuck)		☆	☆
High Pressure Coolant	1.5Bar	●	●
	6Bar	☆	☆
	20Bar	○	○
	70Bar	☆	☆
Power Coolant System (For Automation)		☆	☆
Coolant Chiller		☆	☆
Chip Disposal			
Coolant Tank	300 ℓ (79.3 gal)	●	●
Chip Conveyor	Front (Side)	○	○
(Hinge/Scraper)	Rear (Rear)	○	○
Special Chip Conveyor (Drum Filter)		☆	☆
Chip Wagon	Standard (180 ℓ [47.5 gal])	○	○
	Swing (200 ℓ [52.8 gal])	○	○
	Large Swing (290 ℓ [76.6 gal])	○	○
	Large Size (330 ℓ [87.2 gal])	○	○
	Customized	☆	☆
Safety Device			
Back Spin Torque Limiter (BST)		●	●
Total Splash Guard		●	●
Chuck Hydraulic Pressure Maintenance Interlock		☆	☆

Electric Device		LV4500R/L	LV4500RM/LM
Call Light	1Color : ●	●	●
Call Light & Buzzer	3Color : ● ● ● B	○	○
Electric Cabinet Light		○	○
Remote MPG		○	○
Work Counter	Digital	○	○
Total Counter	Digital	○	○
Tool Counter	Digital	○	○
Multi Tool Counter	Digital	○	○
Electric Circuit Breaker		○	○
AVR (Auto Voltage Regulator)		☆	☆
Transformer	30kVA	○	○
Auto Power Off		○	○
Measurement			
Q-Setter	Removable Type	○	○
Automatic Q-Setter		-	-
Work Close Confirmation Device	TACO	☆	☆
	SMC	☆	☆
Work Setter		☆	☆
Linear Scale	X Axis	○	○
	Z Axis	○	○
Coolant Level Sensor (Only for Chip Conveyor)		☆	☆
Environment			
Air Conditioner		○	○
Oil Mist Collector		☆	☆
Oil Skimmer		○	○
MQL (Minimal Quantity Lubrication)		☆	☆
Fixture & Automation			
Auto Door	Standard	○	○
	High Speed	☆	☆
Auto Shutter (Only for Automatic System)		-	-
Sub Operation Pannel		☆	☆
Extra M-Code 4ea		○	○
Automation Interface		☆	☆
I/O Extension (IN & OUT)	16 Contact	○	○
	32 Contact	○	○
Turret Work Pusher (For Automation)		☆	☆
Hyd. Device			
Standard Hyd. Cylinder	Solid	●	●
	35bar/14 ℓ (3.7 gal)	●	●
	60bar/20 ℓ (5.3 gal)	-	-
Standard Hyd. Unit	70bar/50 ℓ (13.2 gal)	-	-
S/W			
Automatic CAM (HW-ACAM)		-	-
Dialogue Program (HW-DPRO)		○	○
DNC software (HW-eDNC)		○	○
Machine Monitoring System (HW-MMS Cloud)		☆	☆
Machine Monitoring System (Customer Installation : HW-MMS Edge)		☆	☆
Smart Guide-i : FANUC		●	●
Smart S/W		☆	☆
ETC			
Tool Box		●	●
Customized Color	Need Munsell No.	☆	☆
CAD & CAM		☆	☆
Special Level Seat	Only with Air Zero	☆	☆

❖ TDC(Thermal Displacement Compensation) device is recommended, when more than 6 bar of high pressure coolant is applied, for the high quality machining.

Specifications are subject to change without notice for improvement. / Please refer to the S/W catalog (iRIS) for details by S/W product.

SPECIFICATIONS

Standard & Optional

● : Standard ○ : Option ☆ : Prior Consultation - : Non Applicable

Spindle		LV8500R/L	LV8500RM/LM
Belt (37/30/22kW)	A2-11	●	●
Gear Box (45/37/30kW)	A2-11	○	○
Belt (37/30/22kW)	A2-15	○	○
Gear Box (45/37/30kW)	A2-15	○	○
Chuck Size	18"	●	●
	21"	○	○
	24"	○	○
Standard Soft Jaw (1set)		●	●
Chuck Clamp Foot Switch		●	●
2 Steps Hyd. Pressure Device		○	○
5° Index		☆	☆
Cs-Axis (0.001")		-	●
2 Steps Chuck Foot Switch		○	○
Chuck Open/Close Confirmation Device		●	●
Turret			
Tool Holder		●	●
12 station Turret		●	●
Mill Turret	BMT	-	●
Straight Milling Head (Axial)	Collet Type, 1ea	-	●
Angular Milling Head (Radial)	Collet Type, 1ea	-	●
Straight Milling Head	Adapter Type	-	○
Angular Milling Head	Adapter Type	-	○
Boring Sleeve		●	●
Drill Socket		○	○
Angle Head		-	☆
Coolant & Air Blow			
Standard Coolant (Nozzle)		●	●
Bed Flushing Coolant		○	○
Shower Coolant		○	○
Gun Coolant		○	○
Thru Coolant for Live Tool		-	☆
Chuck Air Blow (Upper Chuck)		○	○
Turret Air Blow		☆	☆
Air Gun		○	○
Through Spindle Air Blow (Only for Special Chuck)		☆	☆
High Pressure Coolant	1.5Bar	●	●
	6Bar	○	○
	20Bar	○	○
	70Bar	○	○
Power Coolant System (For Automation)		☆	☆
Coolant Chiller		☆	☆
Chip Disposal			
Coolant Tank	300 ℓ (79.3 gal)	●	●
Chip Conveyor (Hinge/Scraper)	Front (Side)	○	○
	Rear (Rear)	○	○
Special Chip Conveyor (Drum Filter)		☆	☆
Chip Wagon	Standard (180 ℓ [47.5 gal])	○	○
	Swing (200 ℓ [52.8 gal])	○	○
	Large Swing (290 ℓ [76.6 gal])	○	○
	Large Size (330 ℓ [87.2 gal])	○	○
	Customized	☆	☆
Safety Device			
Back Spin Torque Limiter (BST)		●	●
Total Splash Guard		●	●
Chuck Hydraulic Pressure Maintenance Interlock		☆	☆

Electric Device		LV8500R/L	LV8500RM/LM
Call Light	1Color : ●	●	●
Call Light & Buzzer	3Color : ●●● B	○	○
Electric Cabinet Light		○	○
Remote MPG		○	○
Work Counter	Digital	○	○
Total Counter	Digital	○	○
Tool Counter	Digital	○	○
Multi Tool Counter	Digital	○	○
Electric Circuit Breaker		○	○
AVR (Auto Voltage Regulator)		☆	☆
Transformer	45kVA	○	○
Auto Power Off		○	○
Measurement			
Q-Setter	Removable Type	○	○
Automatic Q-Setter		-	-
Work Close Confirmation Device	TACO	☆	☆
	SMC	☆	☆
Work Setter		☆	☆
Linear Scale	X Axis	○	○
	Z Axis	○	○
Coolant Level Sensor (Only for Chip Conveyor)		☆	☆
Environment			
Air Conditioner		○	○
Oil Mist Collector		☆	☆
Oil Skimmer		○	○
MQL (Minimal Quantity Lubrication)		☆	☆
Fixture & Automation			
Auto Door	Standard	○	○
	High Speed	-	-
Auto Shutter (Only for Automatic System)		-	-
Sub Operation Panel		☆	☆
Extra M-Code 4ea		○	○
Automation Interface		☆	☆
I/O Extension (IN & OUT)	16 Contact	○	○
	32 Contact	○	○
Turret Work Pusher (For Automation)		☆	☆
Hyd. Device			
Standard Hyd. Cylinder	Solid	●	●
	35bar/42 ℓ (11 gal)	-	-
	70bar/24 ℓ (6.3 gal)	●	●
Standard Hyd. Unit	70bar/50 ℓ (13.2 gal)	-	-
S/W			
Automatic CAM (HW-ACAM)		-	-
Dialogue Program (HW-DPRO)		○	○
DNC software (HW-eDNC)		○	○
Machine Monitoring System (HW-MMS Cloud)		☆	☆
Machine Monitoring System (Customer Installation : HW-MMS Edge)		☆	☆
Smart Guide-i : FAIUC		●	●
Smart S/W		☆	☆
ETC			
Tool Box		●	●
Customized Color	Need Munsell No.	☆	☆
CAD & CAM		☆	☆
Special Level Seat		☆	☆

❖ TDC(Thermal Displacement Compensation) device is recommended, when more than 6 bar of high pressure coolant is applied, for the high quality machining.

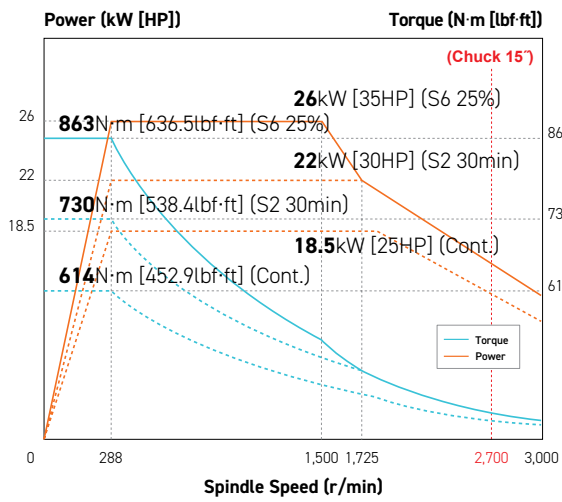
Specifications are subject to change without notice for improvement. / Please refer to the S/W catalog (IRIS) for details by S/W product.

SPECIFICATIONS

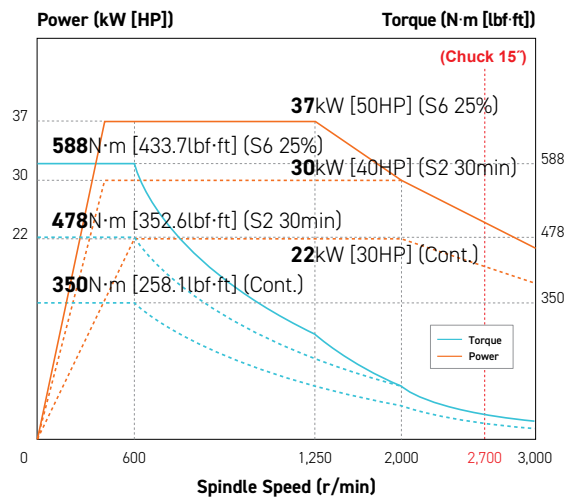
Spindle Output/Torque Diagram

LV4500 Series

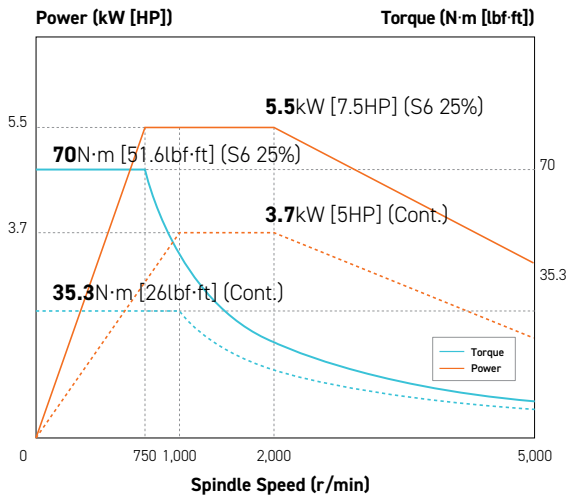
12" 3,000 rpm [Otp. 15" 2,700 rpm]



[Otp. 12" 3,000 rpm / 15" 2,700 rpm]



Mill Turret

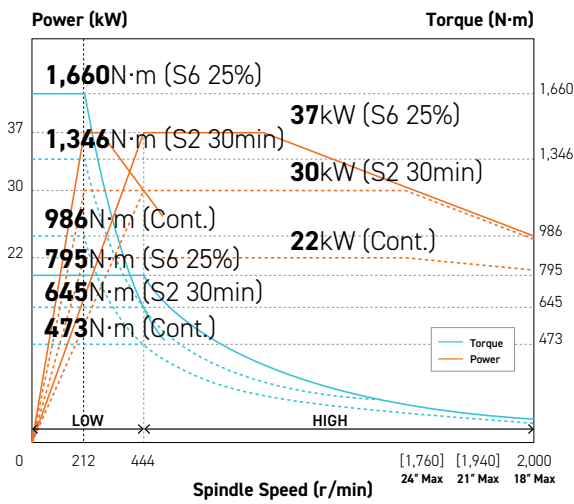


SPECIFICATIONS

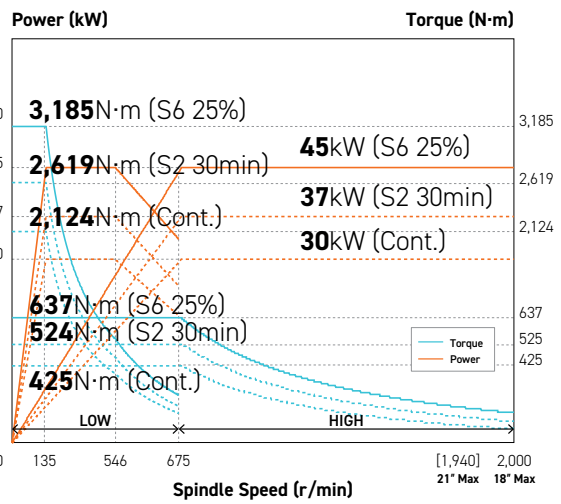
Spindle Output/Torque Diagram

LV8500 Series

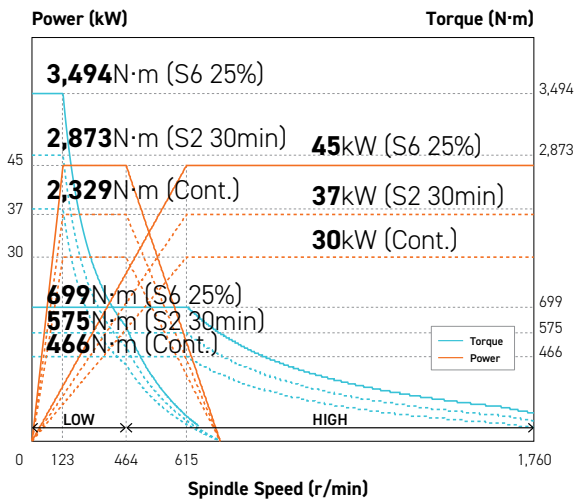
18" [21"] [24"] (Belt)



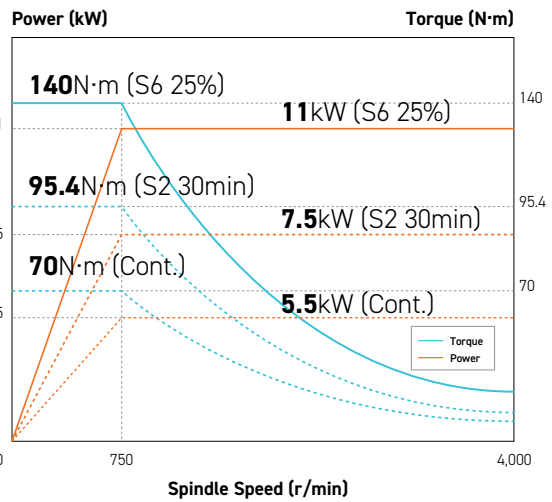
18" [21"] (Gear Box) **OPTION**



24" (Gear Box) **OPTION**



Mill Turret

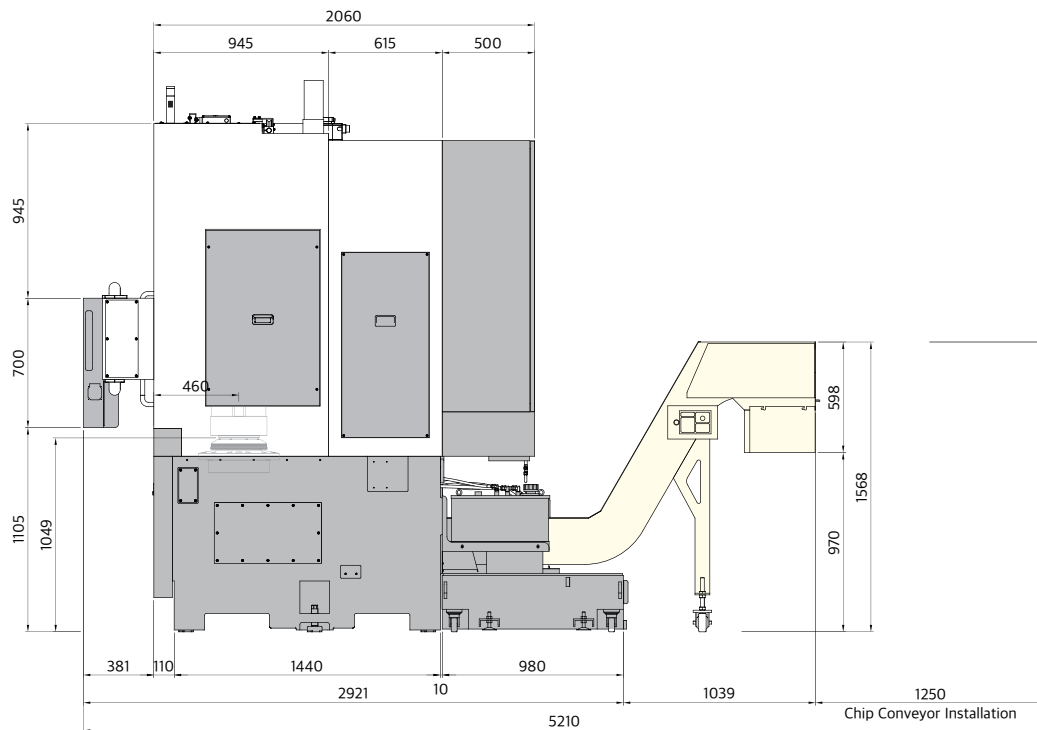
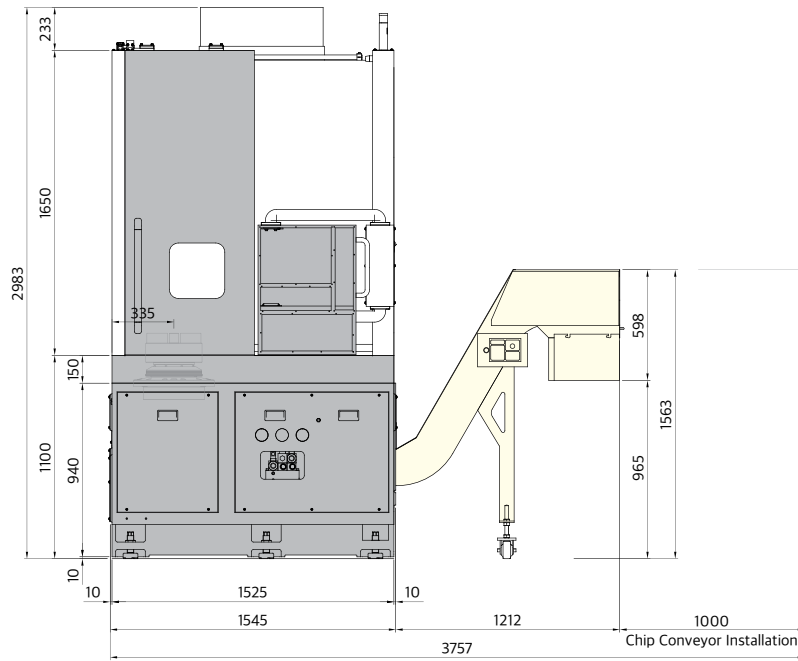


SPECIFICATIONS

External Dimensions

unit : mm(in)

LV4500 Series

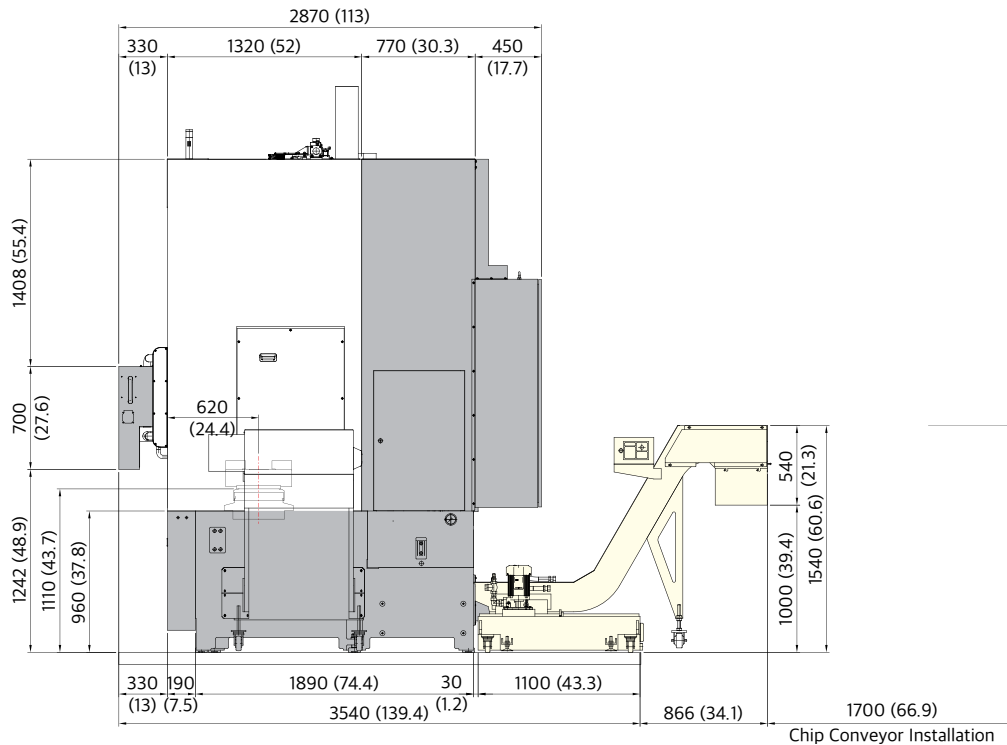
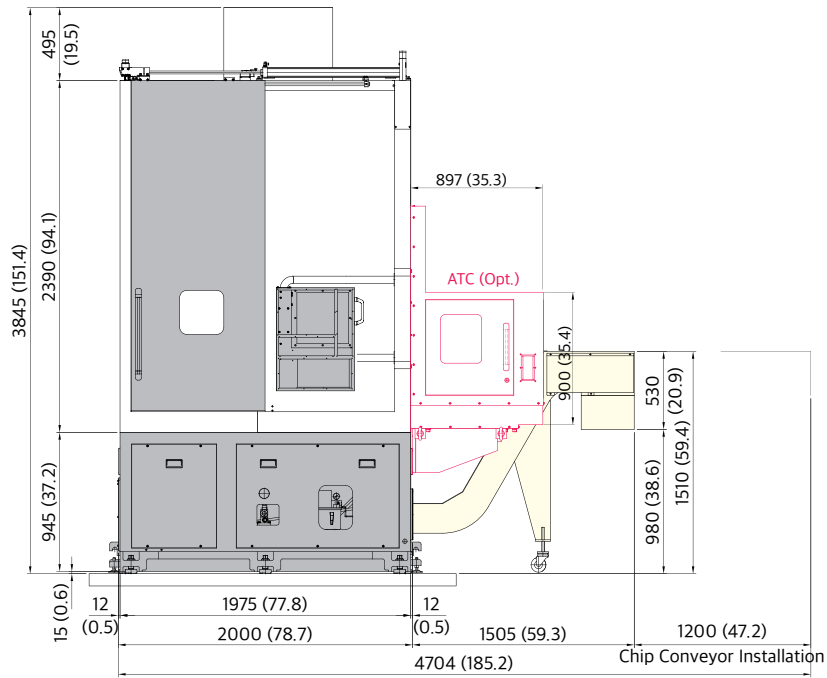


SPECIFICATIONS

External Dimensions

unit : mm(in)

LV8500 Series



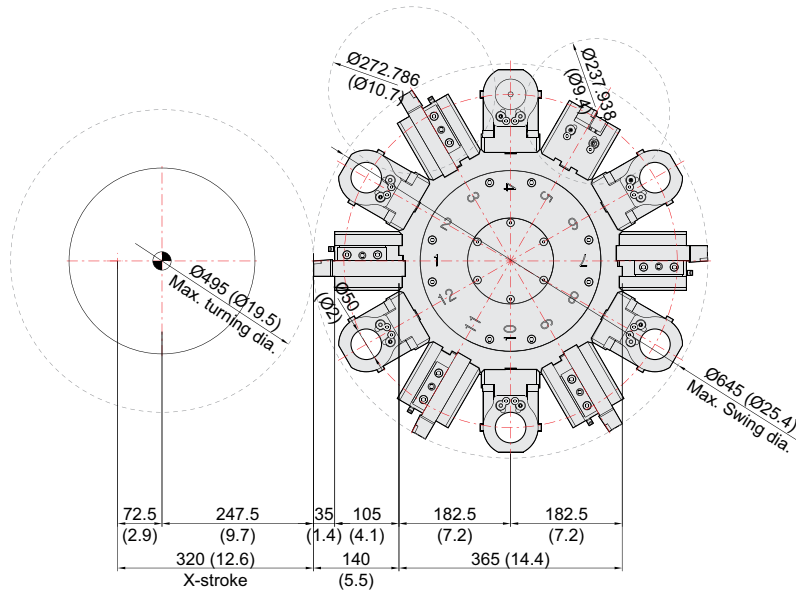
SPECIFICATIONS

Interference

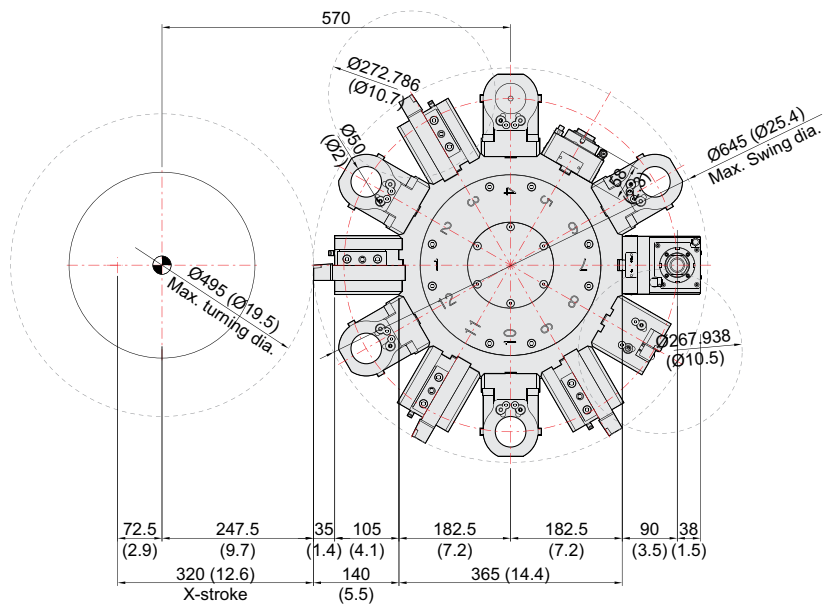
unit : mm(in)

LV4500 Series

LV4500R/L



LV4500RM/LM



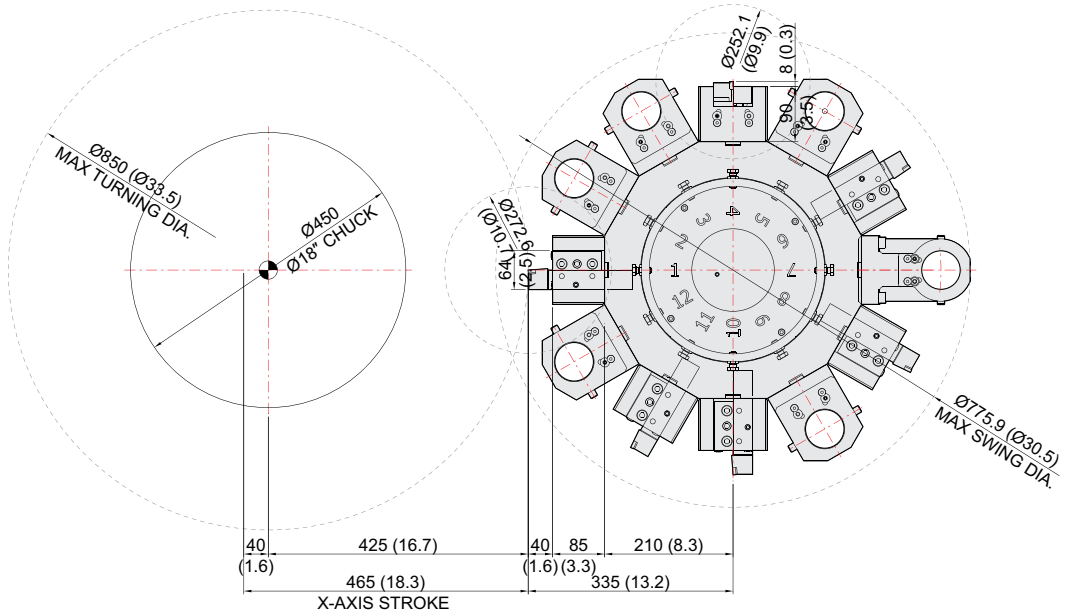
SPECIFICATIONS

Interference

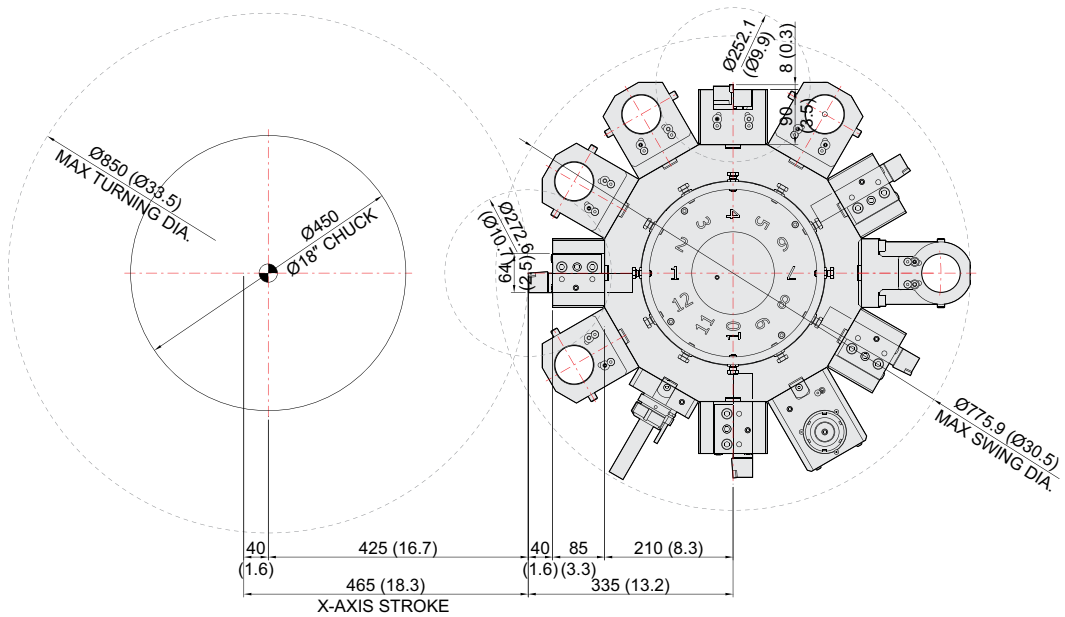
unit : mm(in)

LV8500 Series

LV8500R/L



LV8500RM/LM

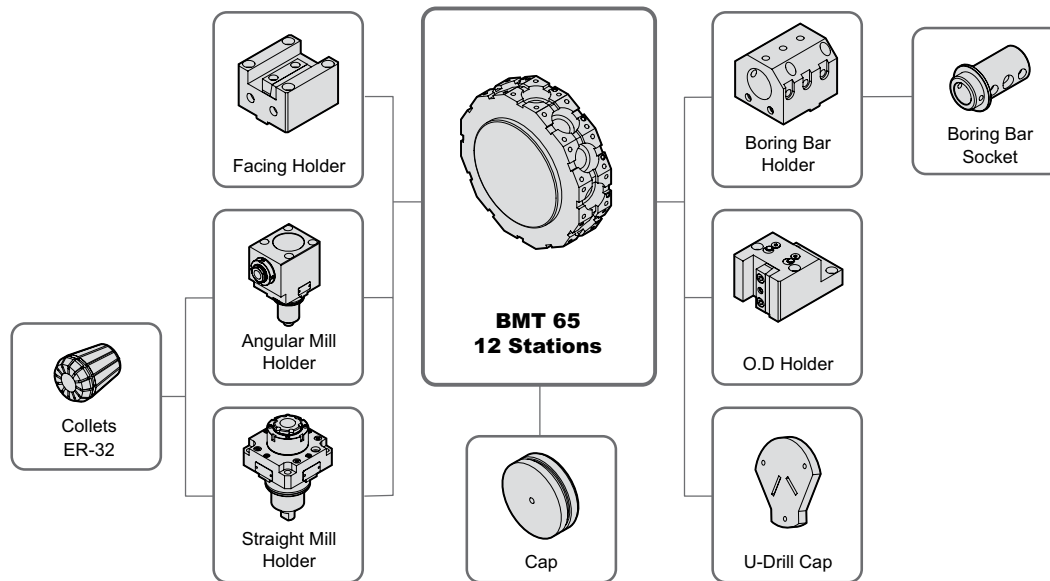


SPECIFICATIONS

Interference

unit : mm

LV4500 Series



Tooling Parts Detail

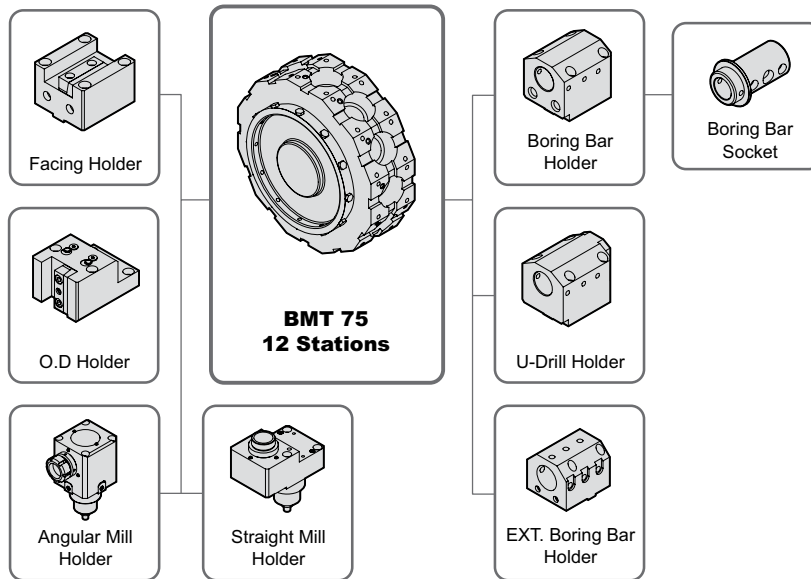
ITEM			LV450R/L		LV450RM/LM		
			mm Unit	inch Unit	mm Unit	inch Unit	
Turning Holder	O.D Holder	Right/Left	5	5	4	4	
	Facing Holder		1	1	1	1	
Boring Holder	I.D Holder	Single	6	6	5	5	
	U-Drill Holder	Cap	1	1	1	1	
Driven Holder	Straight Mill Holder	Standard	-	-	1	1	
		TTC (Tool through coolant)	-	-	Opt	Opt	
	Angular Mill Holder	Standard	-	-	1	1	
		TTC (Tool through coolant)	-	-	Opt	Opt	
Socket	Boring	Ø16 (Ø3/4")	1	-	1	-	
		Ø20 (Ø1")	1	1	1	1	
		Ø25 (Ø1 1/4")	1	1	1	1	
		Ø32 (Ø1 1/2")	1	1	1	1	
		Ø40 (Ø1 3/4")	1	1	1	1	
		Ø45 (Ø1 3/4")	-	1	-	1	
	Drill	MT 2		1	1	1	1
		MT 3		1	1	1	1
		MT 4		1	1	1	1
	ER Collet			-	-	1 Set	1 Set

SPECIFICATIONS

Interference

unit : mm

LV8500 Series



Tooling Parts Detail

ITEM			LV8500R/L	LV8500RM/LM	
Turning Holder	O.D Holder	Right/Left	5	4	
	Facing Holder		1	1	
Boring Holder	I.D Holder	Single	4	3	
		Extension	1	1	
	U-Drill Holder		1	1	
Driven Holder	Straight Mill Holder	Standard	-	1	
	Angular Mill Holder	Standard	-	1	
Socket	Boring	Ø20 (Ø3/4")	1	1	
		Ø25 (Ø1")	1	1	
		Ø32 (Ø1 1/4")	1	1	
		Ø40 (Ø1 1/2")	1	1	
		Ø50 (Ø2")	1	1	
	Drill	MT 3		Opt.	Opt.
		MT 4		Opt.	Opt.
		MT 5		Opt.	Opt.

Specifications are subject to change without notice for improvement.

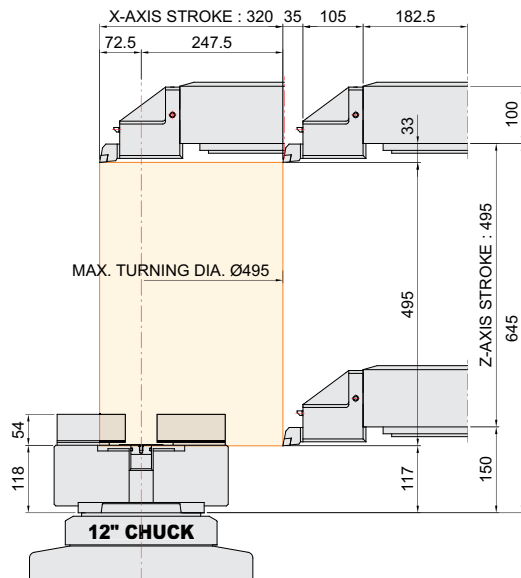
SPECIFICATIONS

Tooling Travel Range

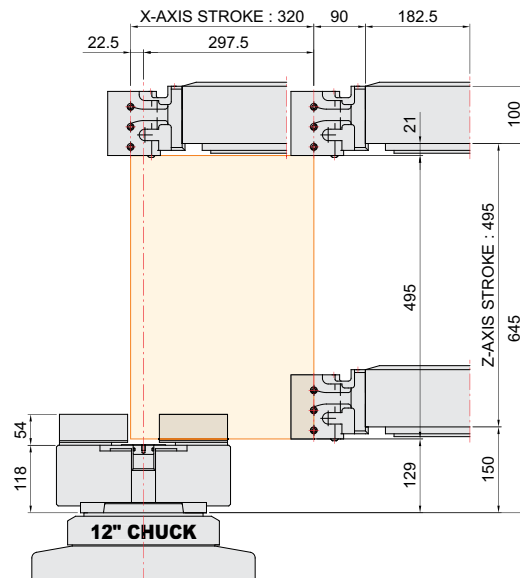
unit : mm(in)

LV4500R/L
LV4500RM/LM

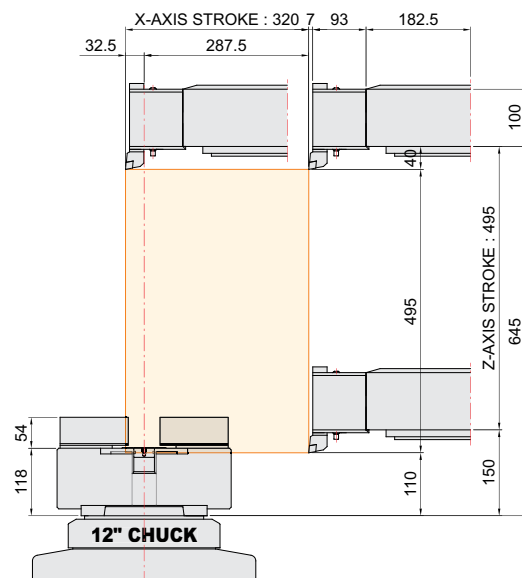
O.D.



I.D.



FACING



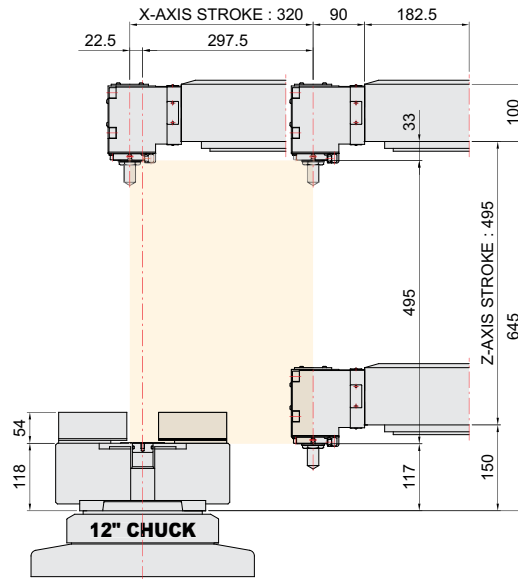
SPECIFICATIONS

Tooling Travel Range

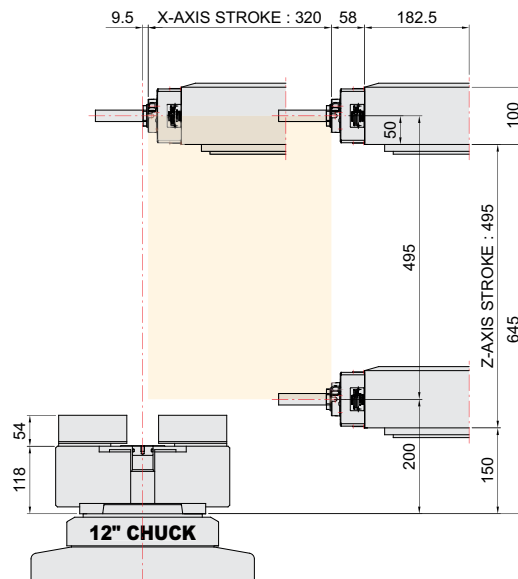
unit : mm(in)

LV4500RM/LM

Angular driven



Straight Driven



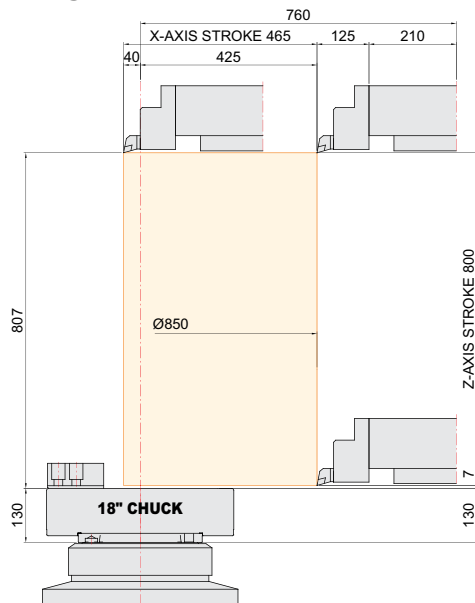
SPECIFICATIONS

Tooling Travel Range

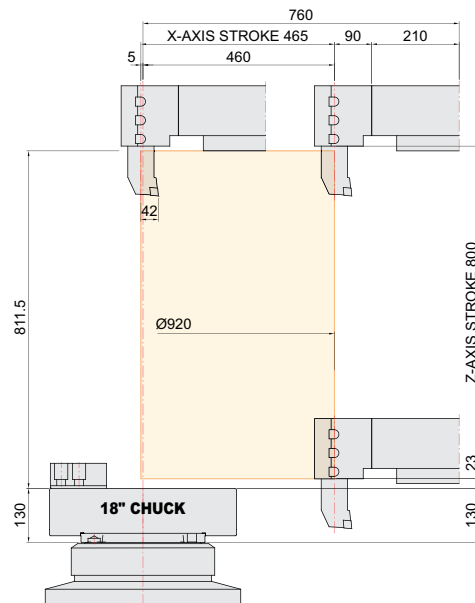
unit : mm(in)

LV8500R/L
LV8500RM/LM

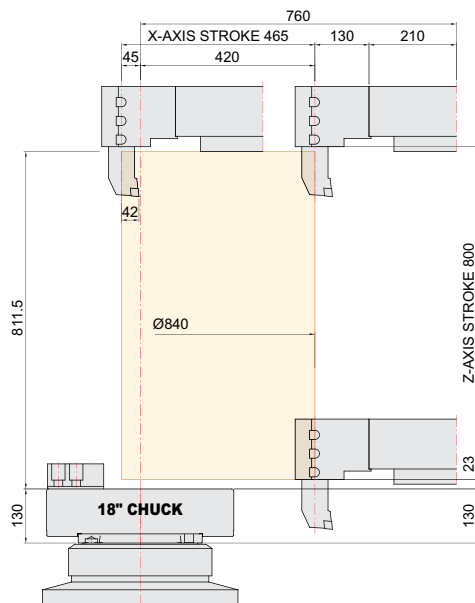
O.D.



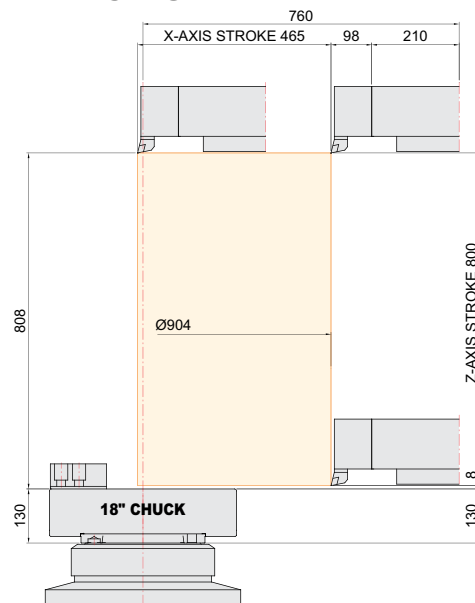
I.D.



EXTEND I.D.



FACING



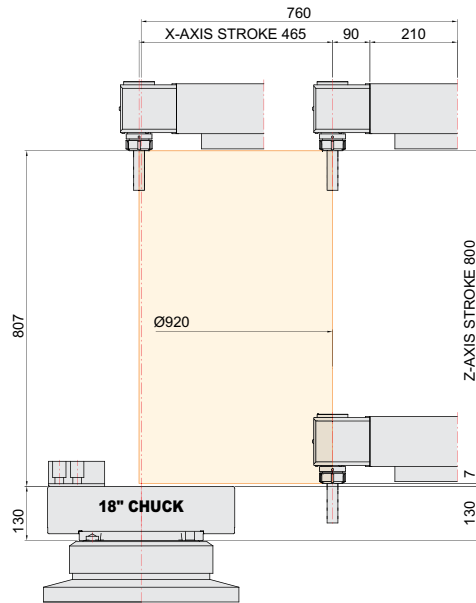
SPECIFICATIONS

Tooling Travel Range

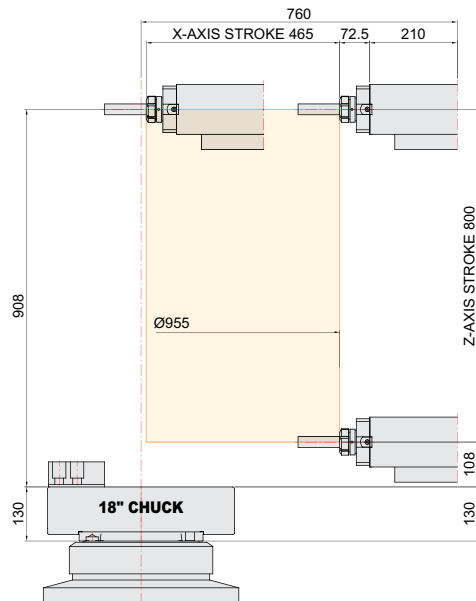
unit : mm(in)

LV8500RM/LM

ANGULAR DRIVEN



STRAIGHT DRIVEN



SPECIFICATIONS

Specifications

[] : Option

ITEM			LV4500R/L	LV4500RM/LM
CAPACITY	Swing Over the Bed	mm(in)	Ø620 (Ø24.4")	
	Swing Over the Carriage	mm(in)	Ø420 (Ø16.5")	
	Max. Turning Dia.	mm(in)	Ø495 (Ø19.5")	
	Max. Turning Length	mm(in)	465 (18.3")	
FEED	Travel (X/Z)	mm(in)	320/495 (12.6"/19.5")	
	Rapid Traverse Rate (X/Z)	m/min(ipm)	24/24 (945/945)	
	Slide Type	-	ROLLER GUIDE	
TURRET	No. of Tools	EA	12	
	Tool Size (O.D./I.D.)	mm(in)	□ 25/Ø50 (1"/Ø2")	
	Indexing Time	sec/step	0.2	
LIVE TOOL	Power (Max./30min/Cont.)	kW(HP)	-	5.5/3.7 (7.5/5)
	Speed(rpm)	r/min	-	5,000
	Torque (Max./30min/Cont.)	N·m(lbf·ft)	-	70/35.3 (51.6/26)
	Collet Size	mm(in)	-	Ø20 (0.8") - ER32
	Type	-	-	BMT65
TANK CAPACITY	Coolant Tank	ℓ(gal)	300 (79.3)	
	Lubricating Tank	ℓ(gal)	2.0 (0.52)	
POWER SUPPLY	Electric Power Supply	kVA	24	
	Thickness of Power Cable	mm ²	Over 25	
	Voltage	V/Hz	220/60 (200/50)	
MACHINE	Floor Space (L×W)	mm(in)	1,545×2,921 (60.8"×115")	
	Height	mm(in)	2,983 (117.4")	
	Weight	kg(lb)	7,000 (15,432)	
NC	Controller	-	HYUNDAI WIA FANUC i Series - Smart Plus	

Spindle

Chuck	Spindle Nose	Speed r/min	Power (Max./30min/Cont.)	Torque (Max./30min/Cont.)	Driving Method
12"	A2-8	3,000 rpm	26/22/18.5 kW (35/29.5/25 HP)	863/730/614 N·m (636.5/538.4/452.9 lbf·ft)	Belt
			[37/30/22 kW] [(50/40/29.5)]	[588/478/350 N·m] [(433.7/352.6/258.1 lbf·ft)]	
[15"]		[2,700 rpm]	[26/22/18.5 kW] [(35/29.5/25 HP)]	[863/730/614 N·m] [636.5/538.4/452.9 lbf·ft)	
			[37/30/22 kW] [(50/40/29.5)]	[588/478/350 N·m] [(433.7/352.6/258.1 lbf·ft)]	

SPECIFICATIONS

Specifications

[] : Option

ITEM			LV8500R/L	LV8500RM/LM
CAPACITY	Swing Over the Bed	mm(in)	Ø890 (Ø35")	
	Swing Over the Carriage	mm(in)	Ø710 (Ø28")	
	Max. Turning Dia.	mm(in)	Ø850 (Ø33.5")	
	Max. Turning Length	mm(in)	800 (31.5")	
FEED	Travel (X/Z)	mm(in)	465/800 (18.3"/31.5")	
	Rapid Traverse Rate (X/Z)	m/min(ipm)	20/20 (787/787)	
	Slide Type	-	BOX GUIDE	
TURRET	No. of Tools	EA	12	
	Tool Size (O.D/I.D)	mm(in)	□ 32/Ø63 (□ 1.3"/Ø2.5")	
	Indexing Time	sec/step	0.2	
LIVE TOOL	Power (Max./30min/Cont.)	kW(HP)	-	11/7.5/5.5 (15/10/7.4)
	Speed(rpm)	r/min	-	4,000
	Torque (Max./30min/Cont.)	N·m(lbf·ft)	-	140/95.4/70 (103.3/70.4/51.6)
	Collet Size	mm(in)	-	Ø26(1") - ER40
	Type	-	-	BMT75
ATC (Option)	Number of Tools	ea	12	
	Tool Shank	-	CAPTO C6	
	Max. Tool Dia. (W.T / W.O)	mm(in)	100/150 (3.9"/5.9")	
	Max. Tool Length	mm(in)	400 (15.7")	
	Max. Tool Weight	kg(lb)	12 (26)	
TANK CAPACITY	Coolant Tank	ℓ(gal)	300 (79.3)	
	Lubricating Tank	ℓ(gal)	3 (0.8)	
POWER SUPPLY	Electric Power Supply	kVA	33	37
	Thickness of Power Cable	mm ²	Over 35	
	Voltage	V/Hz	220/60 (200/50)	
MACHINE	Floor Space (L×W)	mm(in)	2,000×3,540 (78.7"×139.4")	
	Height	mm(in)	3,845 (151.4")	
	Weight	kg(lb)	9,500 (20,944)	
PC	Controller	-	HYUNDAI WIA FANUC i Series - Smart Plus	

Spindle

Chuck	Spindle Nose	Speed r/min	Power (Max./30min/Cont.)	Torque (Max./30min/Cont.)	Driving Method
18"	A2-11	2,000 rpm	37/30/22 kW (50/40/29.5 HP)	1,660/1,346/986 N·m (1,224.4/992.8/727.2 lbf·ft)	Belt
			[45/37/30 kW] [(60/50/30 HP)]	[3,185/2,619/2,124 N·m] [(2,349.1/1,931.7/1,566.6 lbf·ft)]	[Gear Box]
[21"]	[A2-11]	[1,940 rpm]	[37/30/22 kW] [(50/40/29.5 HP)]	[1,660/1,346/986 N·m] [(1,224.4/992.8/727.2 lbf·ft)]	[Belt]
			[45/37/30 kW] [(60/50/30 HP)]	[3,185/2,619/2,124 N·m] [(2,349.1/1,931.7/1,566.6 lbf·ft)]	[Gear Box]
[24"]	[A2-15]	[1,760 rpm]	[37/30/22 kW] [(50/40/29.5 HP)]	[1,660/1,346/986 N·m] [(1,224.4/992.8/727.2 lbf·ft)]	[Belt]
			[45/37/30 kW] [(60/50/30 HP)]	[3,494/2,873/2,329 N·m] [(2,577/2,119/1,717.8 lbf·ft)]	[Gear Box]

※ Prior consultation is required when applying spindle contouring control for gear box driven spindle.

CONTROLLER

HYUNDAI WIA FANUC i Series – Smart Plus

[] : Option

Controlled axis / Display / Accuracy Compensation	
Control axes	2 axes (X, Z) / 3 axes (X, Z, C) / 4 axes (X,Z,Y,C) 5 axes (X, Z, B, C, A) / 6 axes (X, Z, Y, B, C, A) 7 axes (X1/Z1, X2/Z2, B2, C1/C2)
Simultaneously controlled axes	2 axes [Max. 4 axes]
Designation of spindle axes	3 axes [Max. 4 axes]
Least setting Unit	X, Z, Y, B axes : 0.001 mm (0.0001 inch) C, A axes : 0.001 deg
Least input increment	X, Z, Y, B axes : 0.001 mm (0.0001 inch) C, A axes : 0.001 deg
Inch / Metric conversion	G20 / G21
High response vector control	
Interlock	All axes / Each axis
Machine lock	All axes
Backlash compensation	± 0~9999 pulses (exc. Rapid traverse / Cutting feed)
Position switch	
LCD / MDI	15 inch LCD unit (with Touch Panel)
Feedback	Absolute motor feedback
Stored stroke check 1	Over travel
Stored stroke check 2, 3	
PMC axis control	
Operation	
Automatic operation (Memory)	
MDI operation	
DNC operation	Needed DNC software / CF card
Program restart	
Wrong operation prevention	
Program check function	Dry run
Single block	
Search function	Program Number / Sequence Number
Interpolation functions	
Pano interpolation	
Positioning	G00
Linear interpolation	G01
Circular interpolation	G02, G03
Exact stop mode	Single : G09, Continuous : G61
Dwell	G04, 0 ~ 9999.9999 sec
Skip	G31
Reference position return	1st reference : G28, 2nd reference : G30 Ref. position check : G27
Thread synchronous cutting	G33
Thread cutting retract	
Variable lead thread cutting	
Multi / Continuous threading	
Feed function / Acc. & Dec. control	
Manual feed	Rapid traverse Jog : 0~2,000 mm/min (79 ipm) Manual handle : x1, x10, x100 pulses Reference position return
Cutting Feed command	Direct input F code
Feedrate override	0 ~ 200% (10% Unit)
Rapid traverse override	1%, F25%, 50%, 100%
Override cancel	
Feed per minute	G98
Feed per revolution	G99
Look-ahead block	1 block
Program input	
Tape Code	EIA / ISO
Optional block skip	9 ea
Program stop / end	M00, M01 / M02, M30
Maximum command unit	± 999,999.999 mm (± 99,999.9999 inch)
Plane selection	X-Y : G17 / Z-X : G18 / Y-Z : G19
Workpiece coordinate system	G52, G53, 6 pairs (G54 ~ G59)
Manual absolute	Fixed ON
Programmable data input	G10
Sub program call	10 folds nested
Custom macro	#100 ~ #199, #500 ~ #999
G code system	A, B/C
Programmable mirror image	G51.1, G50.1
G code preventing buffering	G4.1
Direct drawing dimension program	Including Chamfering / Corner R
Conversational Program	SmartGuide-i

Program input	
Multiple repetitive cycles	1, 11
Canned cycle for turning	
Auxiliary function / Spindle speed function	
Auxiliary function	M & 4 digit
Level-up M Code	High speed / Multi / Bypass M code
Spindle speed function	S & 5 digit, Binary output
Spindle override	0% ~ 150% (10% Unit)
Multi position spindle orientation	M19 (S##)
Rigid tapping	
Constant surface speed control	G96, G97
Tool function / Tool compensation	
Tool function	T & 2 digit + Offset 2 digit
Tool life management	
Tool offset pairs	128 pairs
Tool nose radius compensation	G40, G41, G42
Geometry / Wear compensation	
Direct input of offset measured B	
Editing function	
Part program storage size	5,120m (2MB)
No. of registerable programs	1,000 ea
Program protect	
Background editing	
Extended part program editing	Copy, move and change of NC program
Memory card program edit	
Data input / output & Interface	
I/O interface	CF card, USB memory Embedded Ethernet interface
Screen hard copy	
External message	
External key input	
External workpiece number search	
Automatic data backup	
Setting, display and diagnosis	
Self-diagnosis function	
History display & Operation	Alarm & Operator message & Operation
Run hour / Parts count display	
Maintenance information	
Actual cutting feedrate display	
Display of spindle speed / T code	
Graphic display	
Operating monitor screen	Spindle / Servo load etc.
Power consumption monitoring	Spindle & Servo
Spindle / Servo setting screen	
Multi language display	Support 24 languages
Display language switching	Selection of 5 optional Languages
LCD Screen Saver	Screen saver
Unexpected disturbance torque	BST (Back spin torque limit)
Function for machine type	
Cs contour control (C & A axes)	Mill, MS, Y, SY, LF-Mill, TTMS, TTSY
Polar coordinate interpolation	Mill, MS, Y, SY, LF-Mill, TTMS, TTSY
Cylindrical interpolation	Mill, MS, Y, SY, LF-Mill, TTMS, TTSY
Polygon turning (2 Spindles)	Mill, MS, Y, SY, LF-Mill, TTMS, TTSY
Canned cycle for drilling	Mill, MS, Y, SY, LF-Mill, TTMS, TTSY
Spindle orientation expansion	MS, SY TTS, TTMS, TTSY
Spindle synchronous control	MS, SY TTS, TTMS, TTSY
Torque control	MS, SY TTS, TTMS, TTSY
Y axis offset	Y, SY, TTSY
Arbitrary angular control	Y, SY, TTSY
Composite / Superimposed control	MS, SY, TTS, TTMS, TTSY
Balance cutting	TTS, TTMS, TTSY
Option	
Fast ethernet	Needed option board
Data server	Needed option board
Protection of data at 8 levels	
Tool offset pairs	200 pairs
Helical interpolation	
Optional block skip	40 ea, 200 ea (AICC 11)

Figures in inch are converted from metric values.

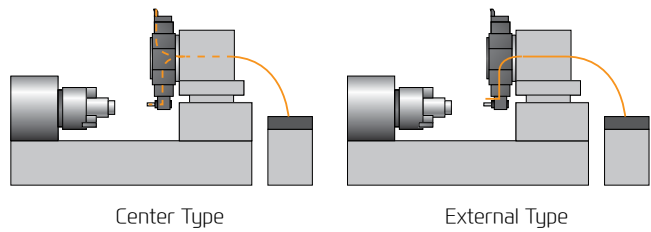
The FANUC controller specifications are subject to change based on the policy of company CNC supplying.

HYUNDAI WIA ECO SYSTEM

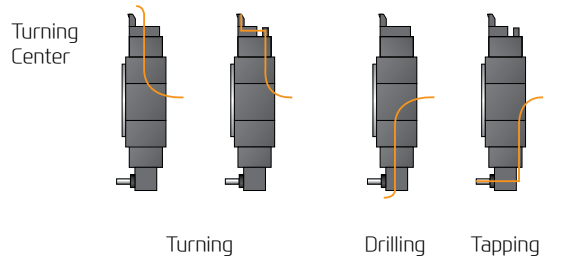
MQL (Minimal Quantity Lubrication)

The goal of this system is to spray only the amount of lubricant required to prevent heat and chip build up at the cutting tool or work piece face.

Example of Turning Center Application



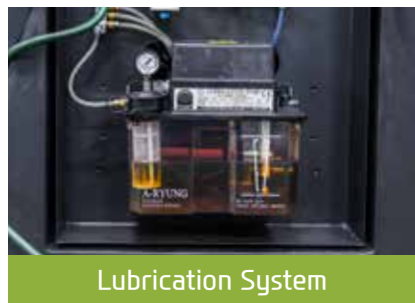
Example of Etc.



An oil skimmer can increase coolant and tool life by removing tramp oil contaminants.



Mist Collector reduces the amount of smoke and oil mist in the air. This helps build a safe and comfortable working environment and improve durability.



By applying lubricant only when the machines axis are moving lubrication consumption is reduced by compared to standard systems.

HYUNDAI WIA ENERGY SAVING

HW-ESS (HYUNDAI WIA Energy Saving System)

HYUNDAI WIA Machine tool provides the optimum power saving function that can easily save energy with an intuitive user interface.



1. **Machine-ready power saving function** : Put all servo motors and other motors into sleep mode when no control or operation is done for a set time
2. **Work light auto-off function** : The work light is turned off automatically when no control or operation is done for a set time
3. **Chip conveyor auto power saving** : Operation/non operation time (timer) can be set to save energy
4. **Auto Power-off** : Auto power off after ending the an operation after a period of time
5. **Eco function** : Machine ready sleep mode can be activated/de-activated from the controller panel
6. **Power consumption monitor** : Real time power consumption can be monitored through the OP screen



You Tube HYUNDAI WIA MT

www.youtube.com/HYUNDAIWIAMT

EXPERIENCE THE NEW TECHNOLOGY

With its top-quality HYUNDAI WIA machine tool creates a new and better world.



<http://machine.hyundai-wia.com>

HYUNDAI WIA Machine Tools
Global Links

HEADQUARTER

Changwon Technical Center/R&D Center/Factory 153, Jeongdong-ro, Seongsan-gu, Changwon-si, Gyeongsangnam-do, Korea TEL : +82 55 280 9114 FAX : +82 55 282 9114

Overseas Sales Team /R&D Center 37, Cheoldobangmulgwan-ro, Uiwang-si, Gyeonggi-do, Korea TEL : +82 31 8090 2539

OVERSEAS OFFICES

HYUNDAI WIA Machine America corp. 450 Commerce Blvd, Carlstadt, NJ 07072, USA TEL : +1-201-987-7298

HYUNDAI WIA Europe GmbH Alexander-Fleming-Ring 57, 65428 Rüsselsheim Germany TEL : +49-0-6142-9256-0

HYUNDAI WIA Machine Tools China 2-3F, Bldg6, No.1535 Hongmei Road, Xuhui District, Shanghai, China TEL : +86-21-6427-9885

India Branch Office #4/169, 1st Floor, LOTTE BLDG, Rajiv Gandhi Salai, (OMR), Kandanchavadi, Chennai - 600096, Tamilnadu, India TEL : +91-76-0490-3348

Vietnam Branch Office Flat number 05, Service and Trade Center of Viet Huong Industrial Zone, Highway 13, Thuan Giao, Thuan An, Binh Duong, Vietnam TEL : +84-3-5399-5099

2022-10 001.006 ENG